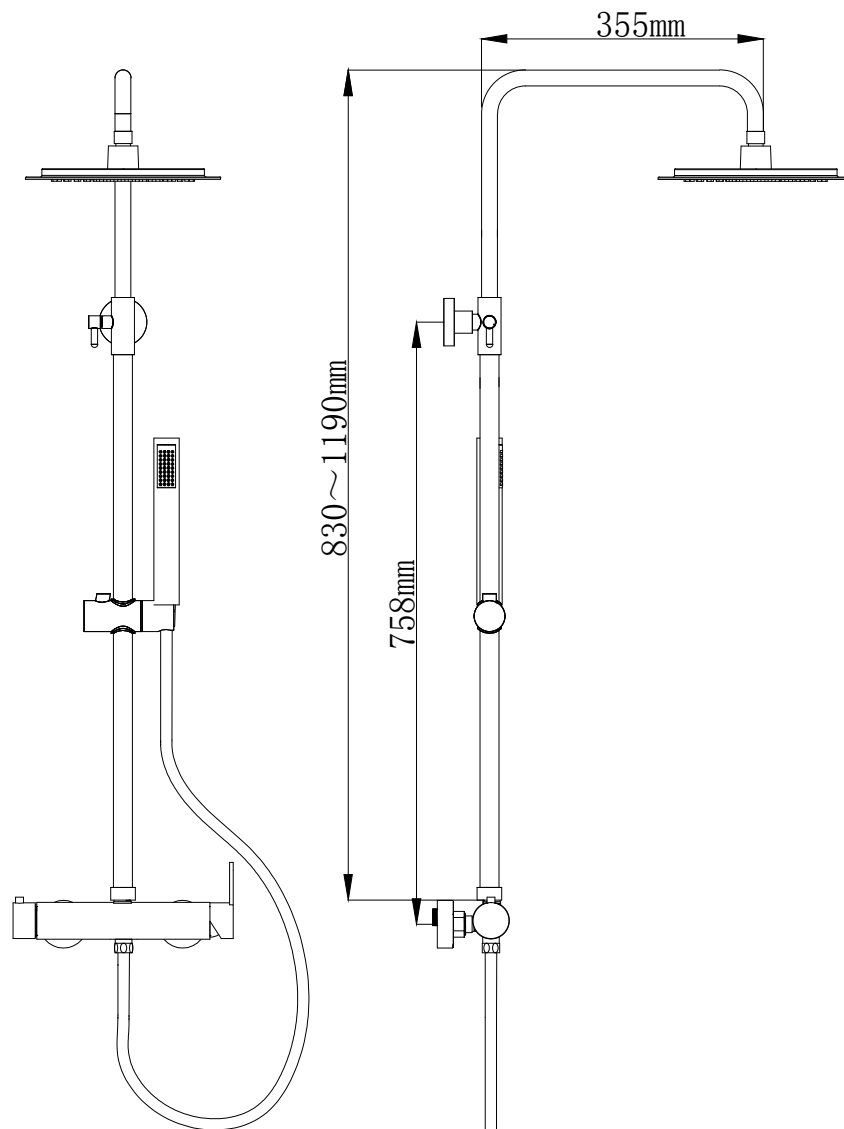




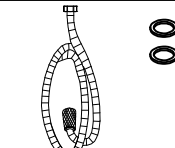
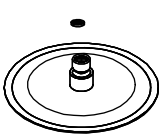

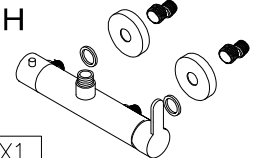

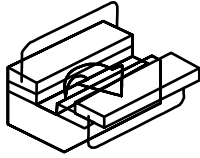
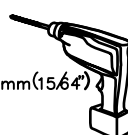
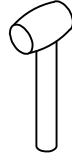
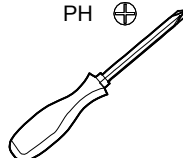


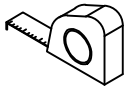

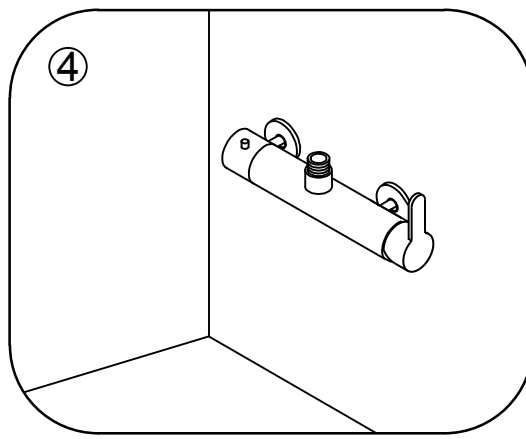
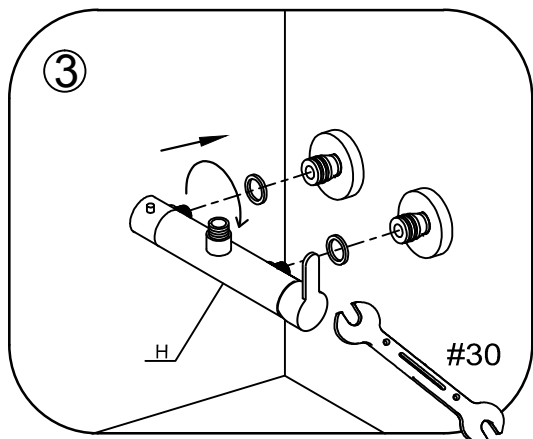
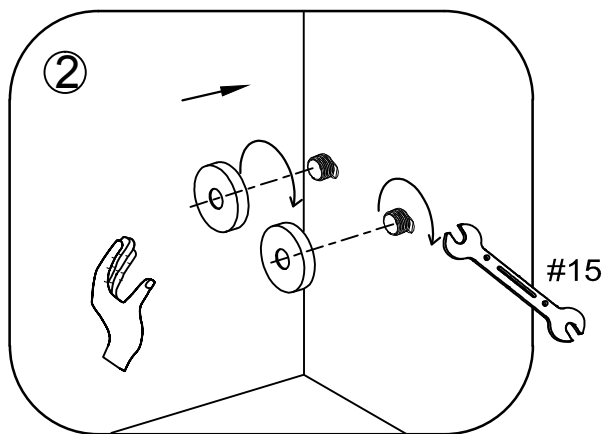
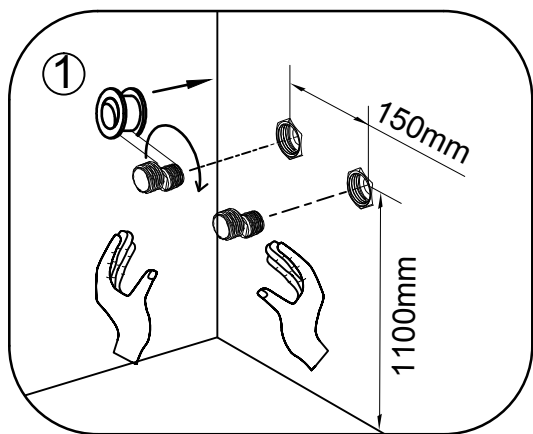


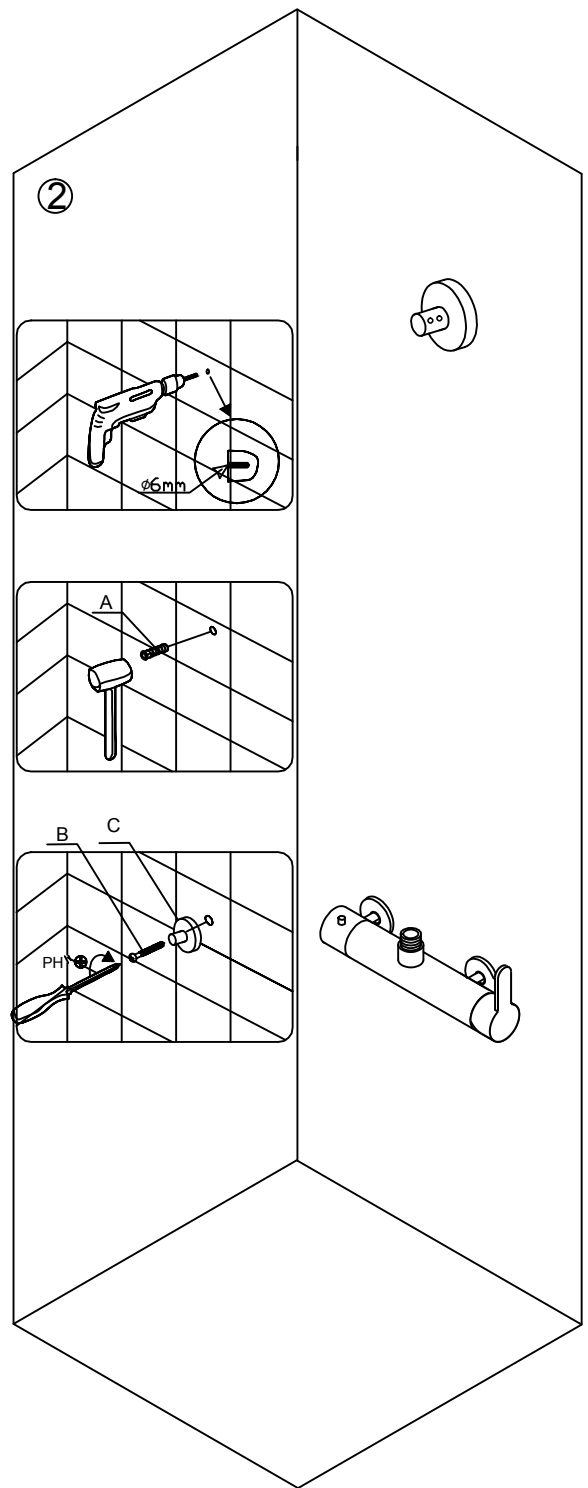
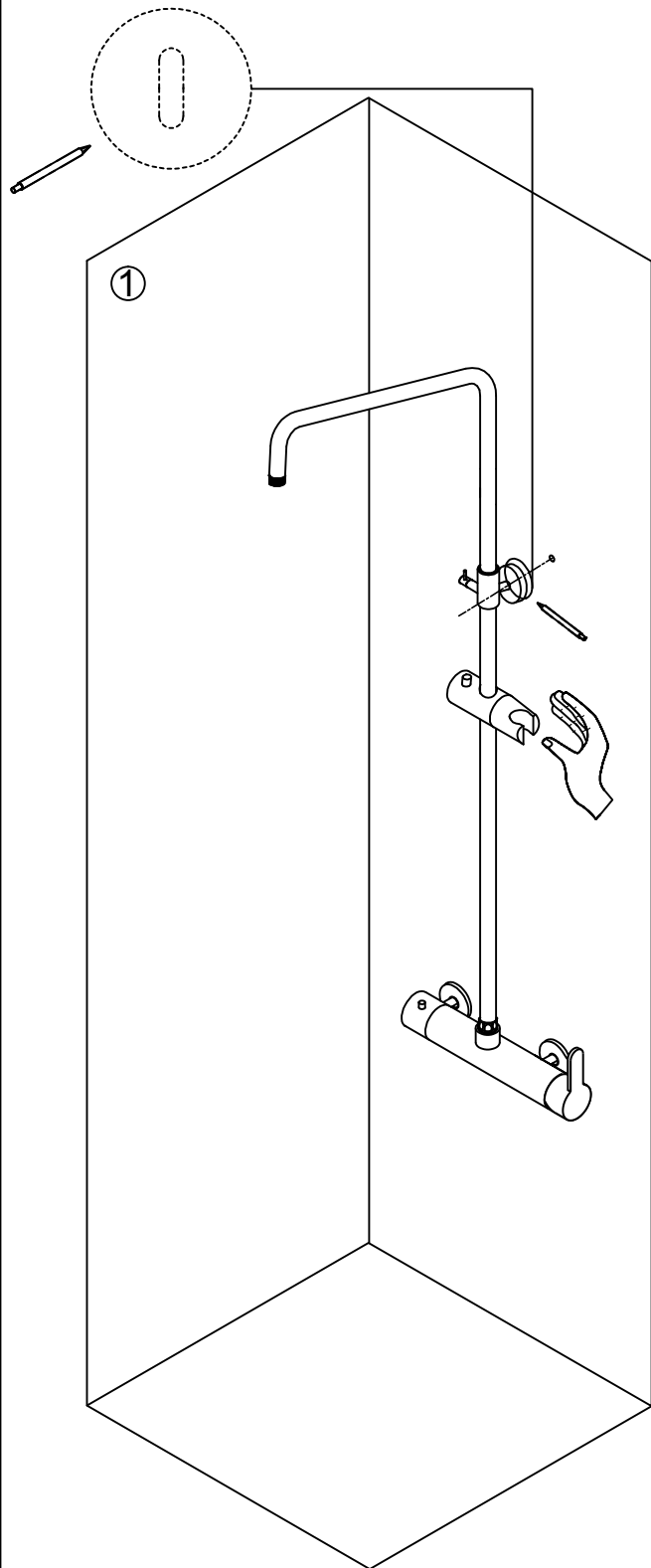
CLASSIC ACCIAIO INOX

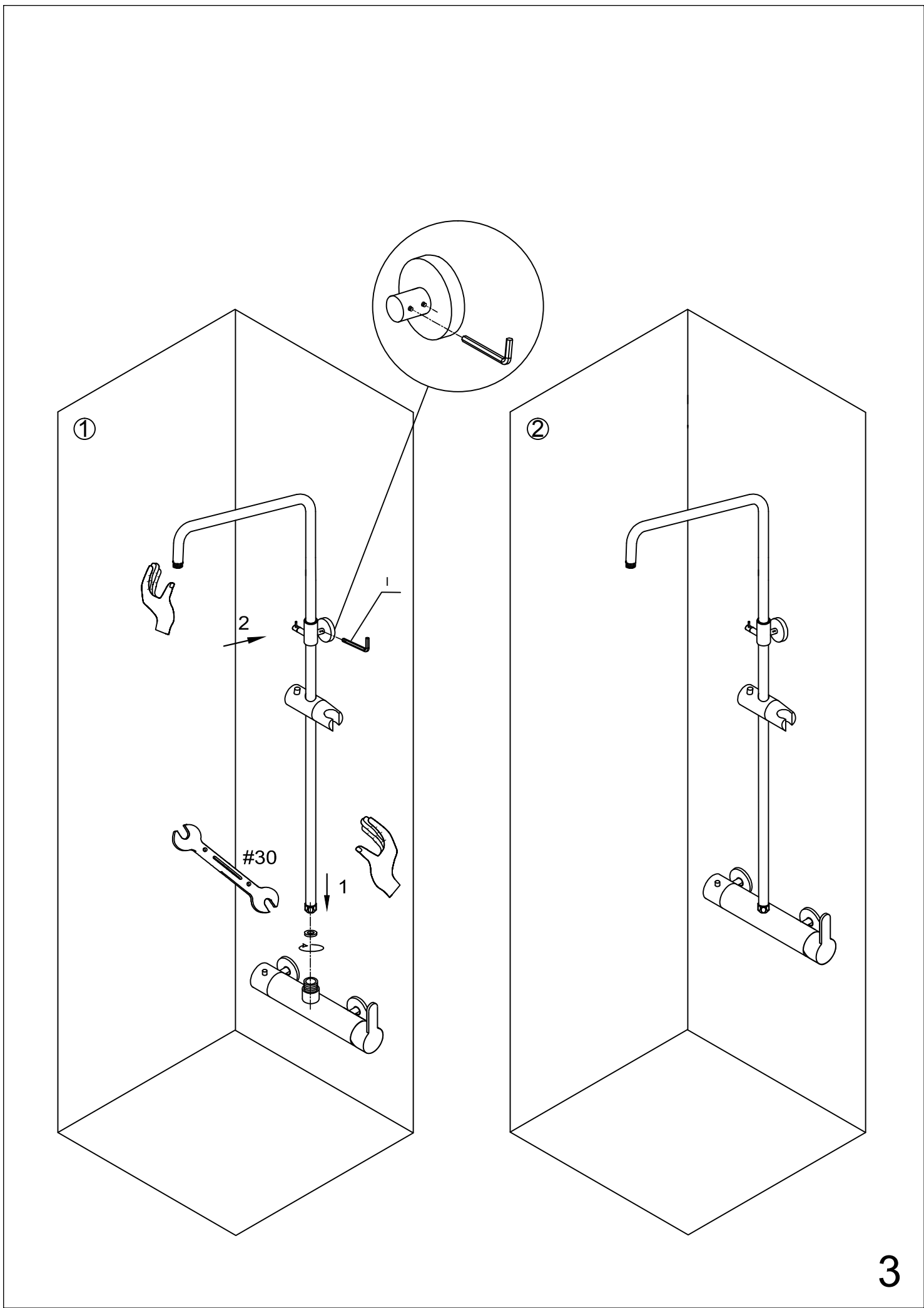


<p>A</p>  <p>X1</p>	<p>B</p>  <p>X1</p>	<p>C</p>  <p>X1</p>
<p>D</p>  <p>X1</p>	<p>E</p>  <p>X1</p>	<p>F</p>  <p>X1</p>
<p>G</p>  <p>G1/2"</p> <p>X1</p>	<p>H</p>  <p>X1</p>	<p>I</p>  <p>X1</p>

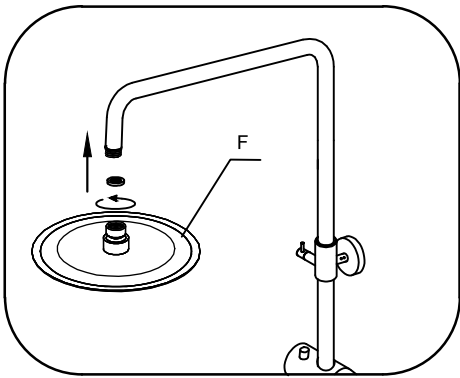
	 <p>6mm(1/4")</p>		 <p>PH (+)</p>
<p>#15/#23/#30</p> 			







1



2

